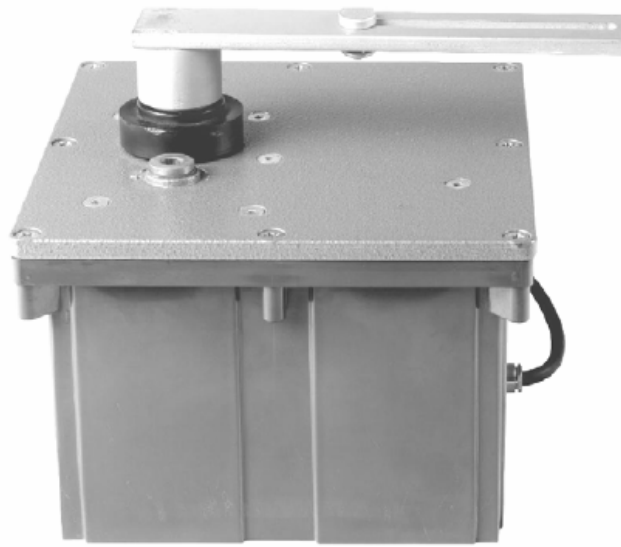


# Technical Installation Manual

## COMPAS



### 230VAC/12VDC UNDERGROUND OPERATOR FOR SWINGING GATES



**WARNING!!** Before installing, thoroughly read this manual that is an integral part of the pack



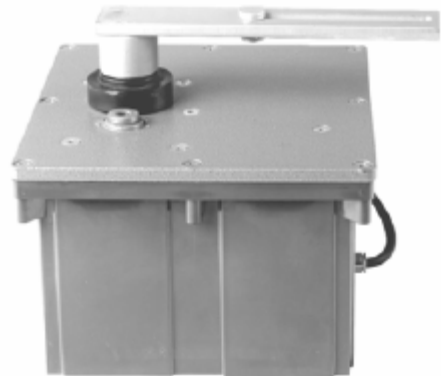
The CE mark conforms to European directive EEC 89/336 + 92/31 + 93/68 D.L. 04/12/1992 N. 476.

# INDEX

1.	PACKING CONTENTS	2
	VIEW OF TYPICAL AUTOMATION AND NAMES OF COMPONENTS	3
2.	TECHNICAL DATA	3
3.	DIMENSIONS	4
4.	TYPICAL CONNECTION AND CABLE SECTION	4
	CONSIDERATIONS FOR INSTALLATION	4
5.	INSTALLATION	5
	TROUBLESHOOTING	7
	SAFETY PRECAUTIONS	8

## 1. PACKING CONTENTS

1- Underground oil bath operator



1- Simple lever for wing anchorage

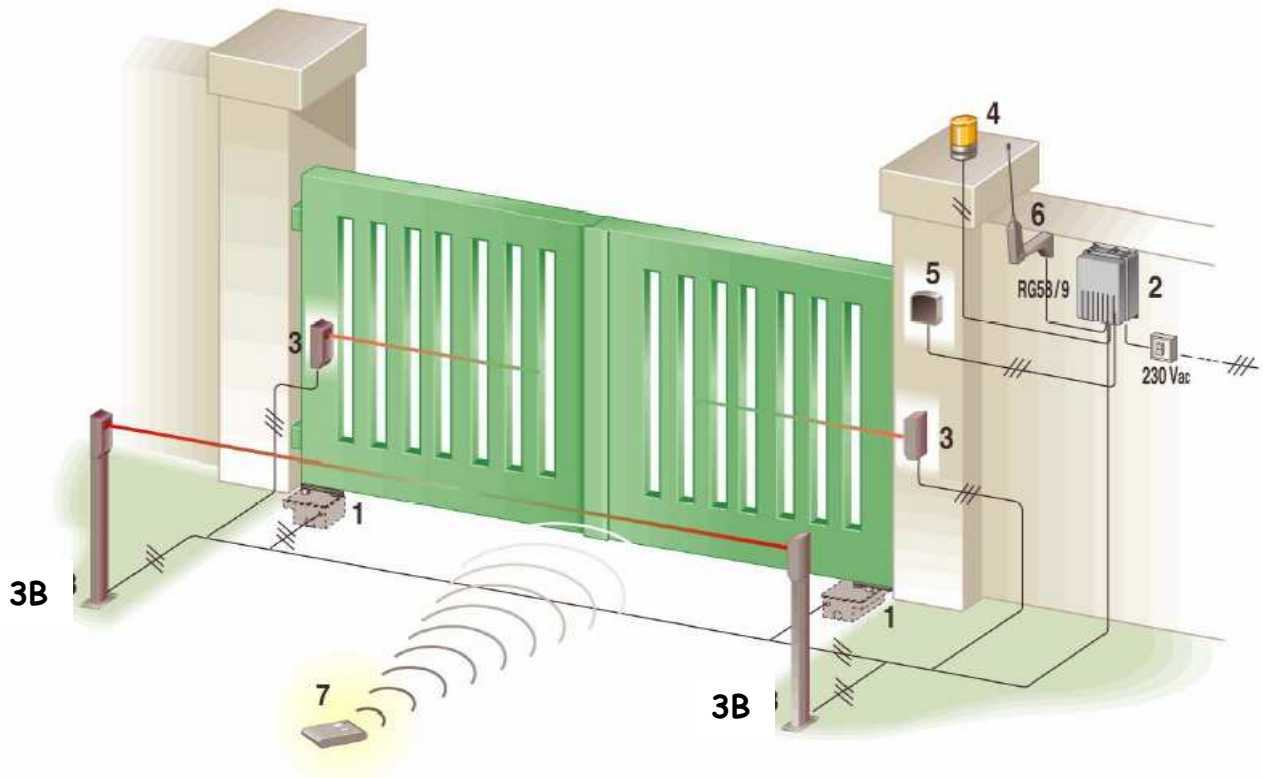
reversible



not reversible



## VIEW OF TYPICAL AUTOMATION AND NAMES OF COMPONENTS



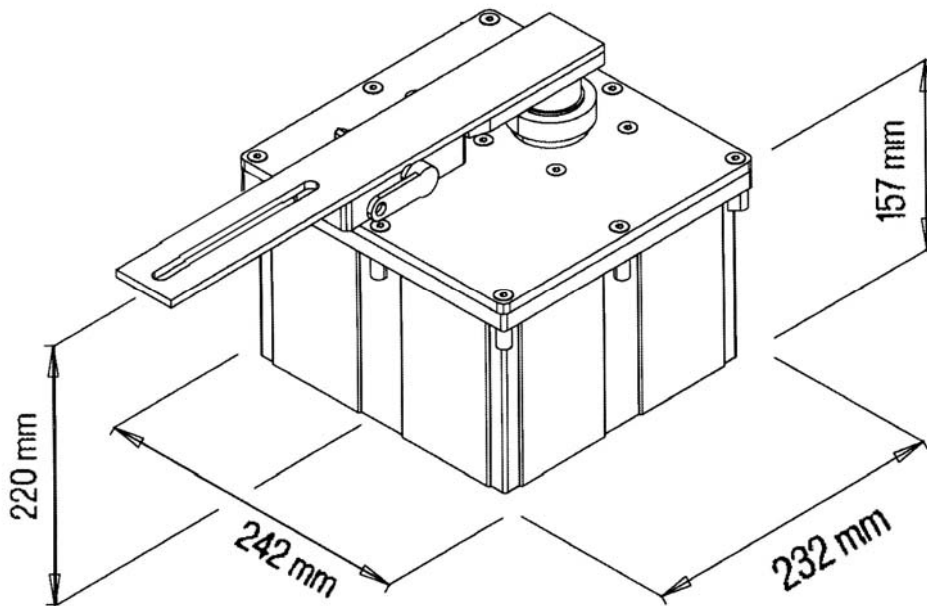
### Optimal installation

1. Operators	4. Flashing warning light
2. Electronic control unit	5. Key-switch
3. External photocell Internal photocell (optional)	6. Antenna
	7. Remote control

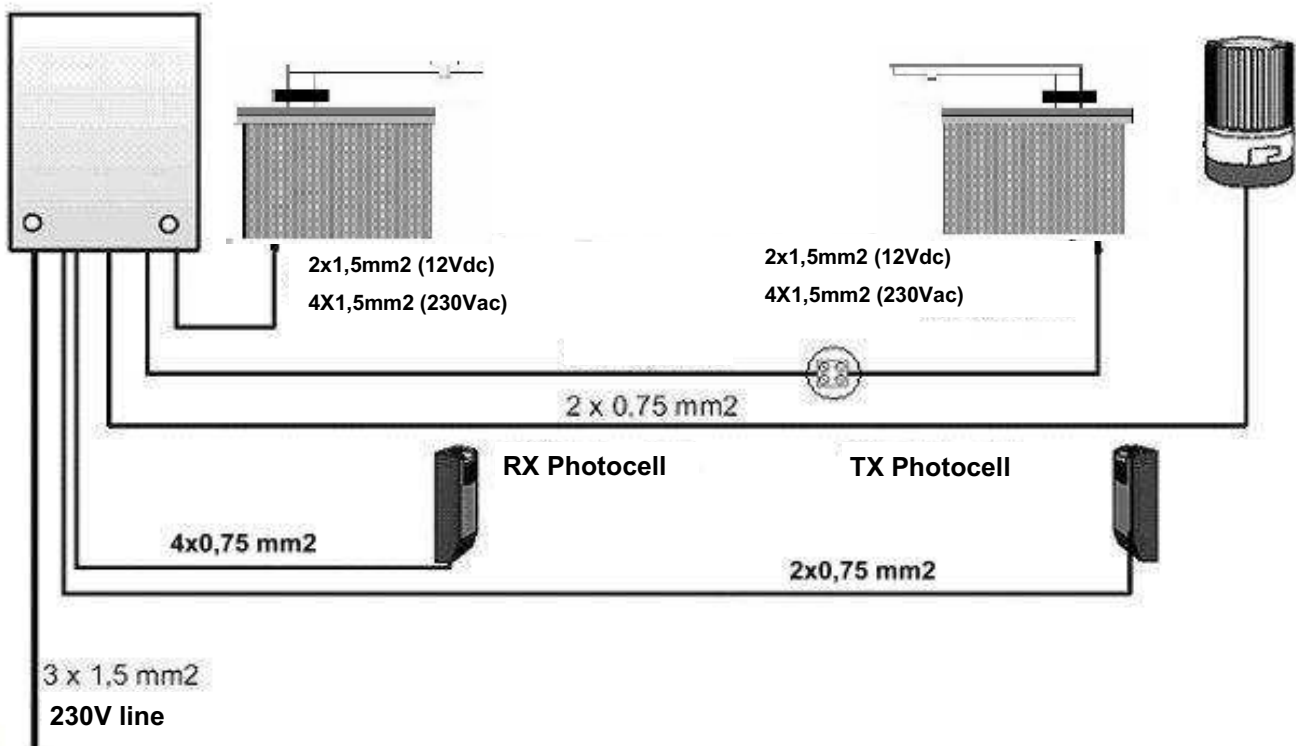
## 2. TECHNICAL DATA

	230V	12V
Max. weight per wing	250 Kg	
Max. weight per wing	2,50 mt	2 mt
Motors power supply	230Vac	12Vdc
Motor current input	1,4A	1,8A
Motor power	250 W	50W
Condenser	16 mF	/
Motor RPM	1400	1500
Actuator weight	15 Kg	
Protection rating	IP 67	
Opening time 90°	15 sec.	
Working temperature	-20° C / +55° C	

### 3 DIMENSIONS



### 4 TYPICAL CONNECTION AND CABLE SECTION



### CONSIDERATIONS FOR INSTALLATION

- The installation and testing operations must be performed solely by qualified personnel in order to guarantee the proper and safe operation of the automatic gate.
- The company declines any responsibility for damage caused by incorrect installations due to incompetence and/or negligence.
- Before assembling the automatism, check that the gate is in perfect working order, hangs well on its hinges and is suitably lubricated. It must also comply with the safety standards in force in the country of installation.

## 5 INSTALLATION

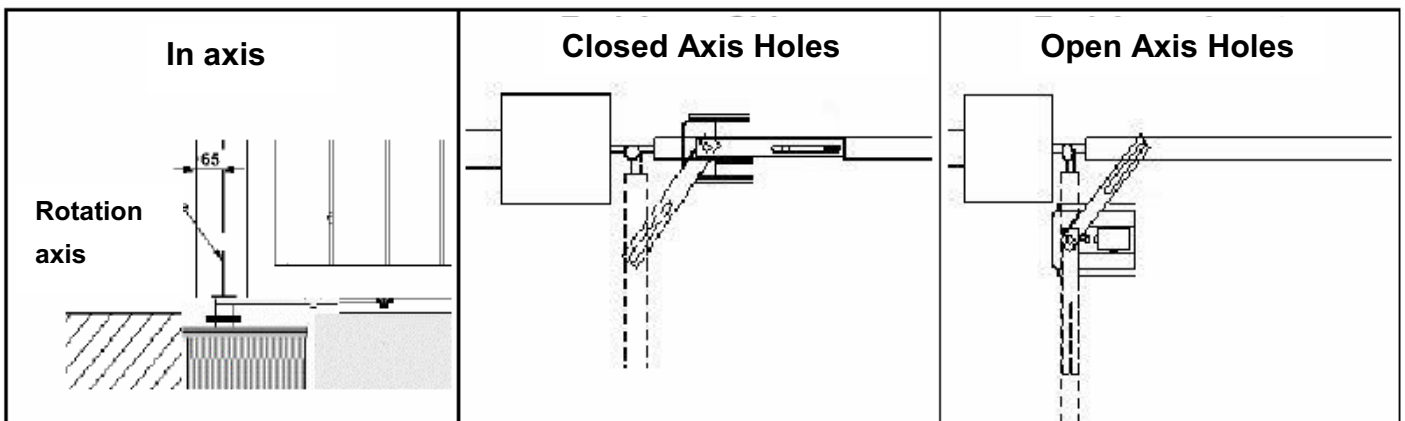
**Introductory note:** Dig a hole big enough to hold the operator, calculate the required opening angle considering that the Compass operator can also be installed Out of Axis, insert the sheath for laying the power cable, make water drainage holes in the ground and cement solidly.

### 5.1 GATE WING OPENING ANGLE

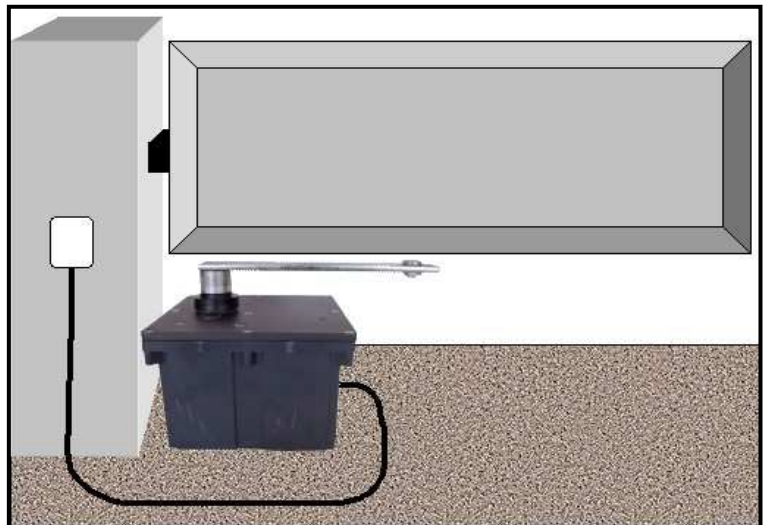
Establish the required opening angle opportunely positioning the opening locks for the shutters.

### 5.2 INSTALLATION PROCEDURE

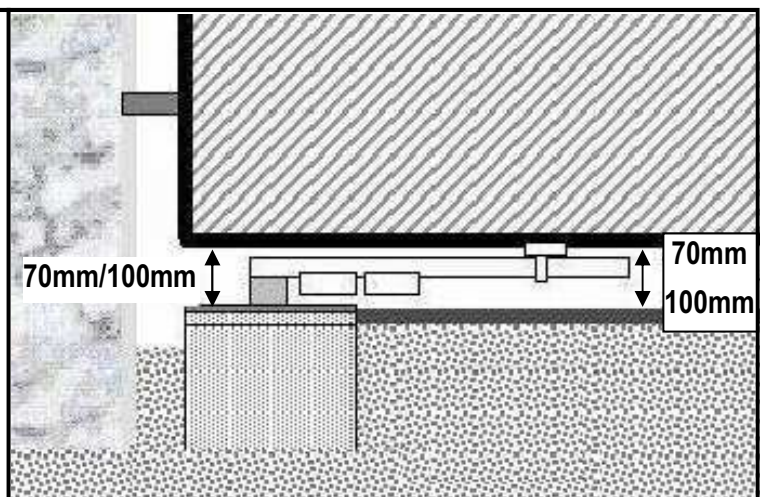
Establish where the operator is to be installed



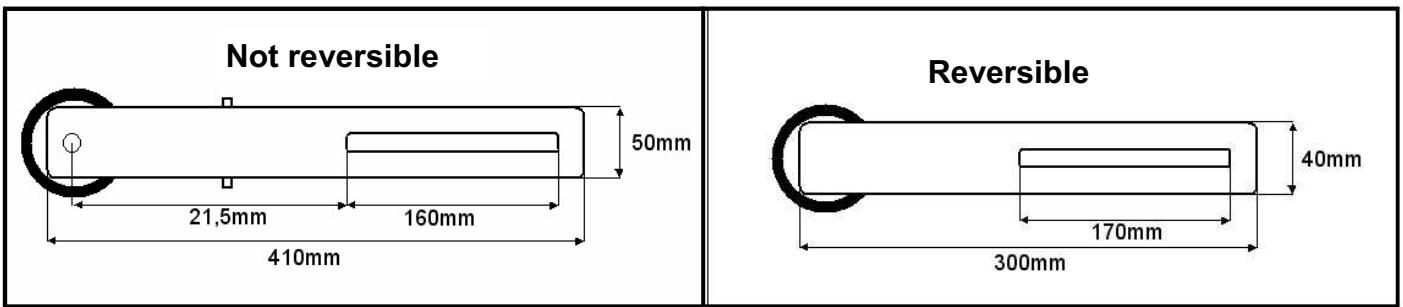
**5.2.1** Prepare the sheath for laying the power cable



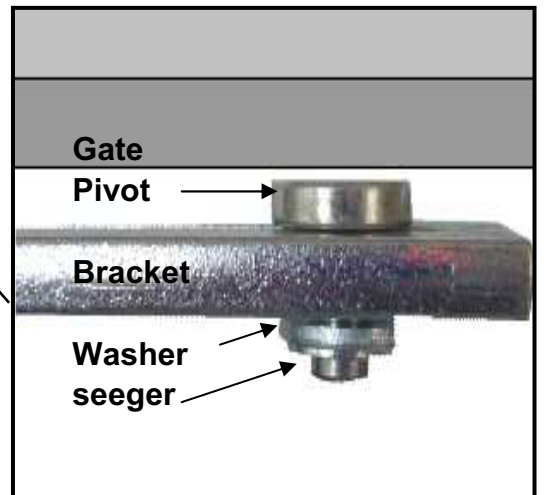
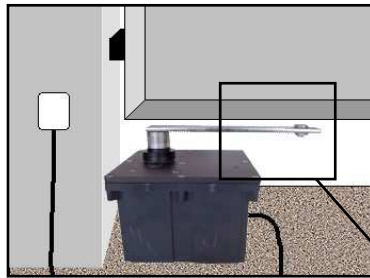
**5.3.1** Place the operator into the hole, position and level it so that there is a distance of 100 mm for the irreversible version and 70 mm for the reversible version (**see pict.**) between ground level and the gate wing, cement firmly and wait for it to dry before assembling the levers.



### 5.3.2 Insert and fasten the lever on the toothed pinion of the operator



**5.3.3** Fasten the pin provided onto the gate Wing, insert into the slot on the lever and fix with washer and seeger ring.



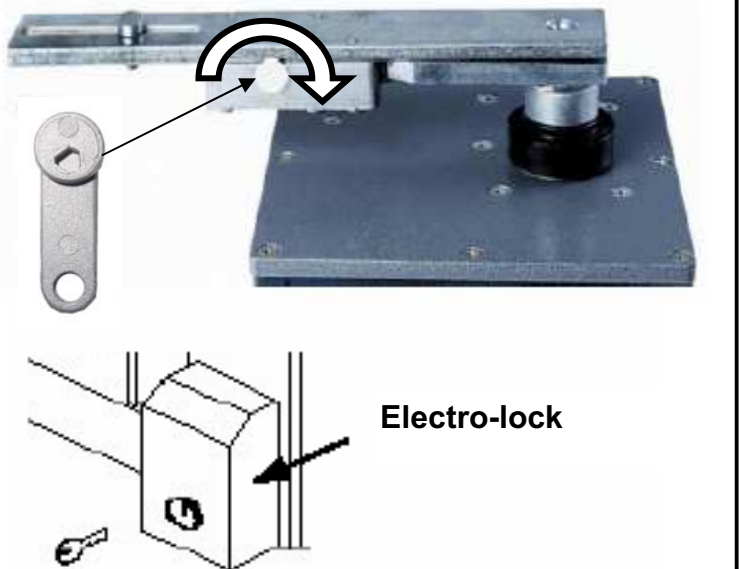
### 5.3.4 EMERGENCY RELEASE PROCEDURE

**Not reversible**

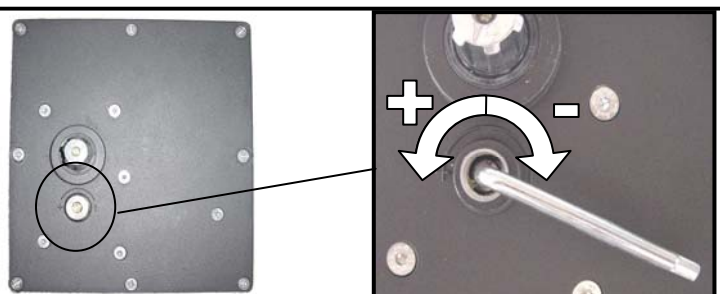
The gate wing is released by using the lock on the motor/carriage anchorage lever.

**Reversible**

Procedure for fixing operator's lever to the gate. Act on the electro-lock on the gate to release the gate swing.



Adjust the mechanical friction to maintain an easy reversibility.



## TROUBLESHOOTING

PROBLEM	PROBABLE CAUSE	REMEDY
On giving a command with the remote control or with the key-switch, the gate doesn't open or the motor doesn't start	230 volt mains voltage absent	Check master switch
	Emergency STOP present	Check for any STP selectors or commands. If not used, check jumper on STP contact input on the control board
	Fuse blown	Replace with one of same value.
	Power cable of motor or motors not connected or faulty.	Connect the cable to appropriate terminal or replace.
	The photocell is not functioning or the beam is interrupted	Check the connection, remove any obstacle across the beam
On giving a command with the remote control, the gate doesn't open but works with the key command	The remote control has not been memorised or the battery is flat	Carry out the remote control learning procedure on the radio receiver or replace the battery with a new one.
On giving a command, the flashing warning light works slowly and the light is dim	2 A fuse blown	Replace with one of same value
The gate starts, but stops immediately	The force of the motor or motors is insufficient	Modify the value with the FORCE trimmer on the control unit
On giving a command, the motor starts, but the gate does not move	There is an obstacle in front of the wings, the hinges are blocked or the motor anchorage bracket or brackets have come loose	Remove the obstacle from the wings, restore the hinges, replace or lubricate them. Fasten the motor bracket
	The electric lock, if present, does not work	Check if the electric lock connected or lubricate it
One wing opens and the other closes	The connection is not correct	Invert the connection of the cable of the motor which rotates in the wrong sense

## **SAFETY PRECAUTIONS**

These warnings are an essential, integral part of the product and must be given to the user. They provide important indications on the installation, use and maintenance and must be read carefully. This form must be preserved and passed on to subsequent users of the system. The incorrect installation or improper use of the product may be dangerous.

## **INSTALLATION INSTRUCTIONS**

- The installation must be performed by professionally skilled personnel and in compliance with current local, state, national and European legislation.
- Before beginning the installation, check the integrity of the product.
- The laying of cables, electrical connections and adjustments must be workmanlike performed.
- The packing materials (cardboard, plastic, polystyrene, etc.) are a potential hazard and should be disposed of correctly and not left within reach of children.
- Do not install the product in potentially explosive environments or environments disturbed by electromagnetic fields. The presence of inflammable gases or fumes is a grave danger to safety.
- Set up a safety device for overvoltage, a disconnecting and/or differential switch suitable for the product and conforming to current standards.
- The manufacturer declines any and all responsibility for product integrity, safety and operation in the event incompatible devices and/or components are installed.
- Solely original spare parts should be used for repairs and replacements.
- The installer must provide all the information relating to the operation, maintenance and use of the individual parts, components and system as a whole.

## **MAINTENANCE**

To ensure product efficiency, it is essential that professionally skilled personnel carry out maintenance within the times established by the installer, the manufacturer and by current legislation.

All installation, maintenance, repairs and cleaning operations must be documented. This documentation must be preserved by the user, and made available to the personnel responsible.

## **WARNINGS FOR THE USER**

Read the instructions and enclosed documentation carefully.

The product must be used for the express purpose for which it was designed. Any other use is considered improper and therefore hazardous. In addition, the information given in this document and in the enclosed documentation may be subject to modifications without prior notice. It is given as an indication only for product application. The company declines any responsibility for the above.

Keep products, devices, documentation and anything else provided out of reach of children.

In the event of maintenance, cleaning, breakdown or faulty operation of the product, cut off the power and do not attempt to operate on the product. Contact solely the professionally skilled personnel responsible for these operations. Failure to adhere to the above indications may be dangerous.

## **WARRANTY LIMITS**

This product has a warranty of 24 months starting on the date of selling document, and is valid for the first purchaser only. It does not cover the following eventualities: negligence, incorrect or improper use of the product, use of accessories not conforming to the manufacturer's specifications, tampering by the customer or third parties, natural causes (lightning, floods, fire, etc.), riots, vandalism, modifications to the environmental conditions of the installation site. Nor does the warranty cover parts subject to wear (batteries, etc.). The product is to be returned for repair carriage free. The company shall return the repaired product to the sender carriage forward. Otherwise, the goods shall be rejected on arrival or withheld at dispatch.

The purchase of the product implies full acceptance of all warranty conditions.